



hanit® PASTURE FENCE GATE- AND DOOR SYSTEM

Open for quality

This pasture gate is exceptionally sturdy. Made from the highly robust hanit®, which is strengthened through reinforcement. In combination with the successfully proven closing mechanism, you can rest assured nothing breaks out.

Material:

hanit® Recycled Plastic

Gate Variations:

- One Wing L = 103 cm
- One Wing L = 178 cm
- Two Wings L = 360 cm
- With 3 or 5 crossbars each

Details Gate Post:

12 x 12 x 250 cm

Details Connector for Gate Post:

10 x 11 x 11 cm
Drilled, radius R10

Model:

- Metal posts, galvanized and varnished
- Connector enables gate post to be fixed onto the pasture system
- Gate post is designed flexibly for 3 or 5 recesses

Advantages:

- Flexible while mounting
- Including mounting equipment and gate post
- Splinter and maintenance-free
- Chew-resistant
- Connector can be used individually in any amount or area

Optional Items:

- Suitable pasture gate system

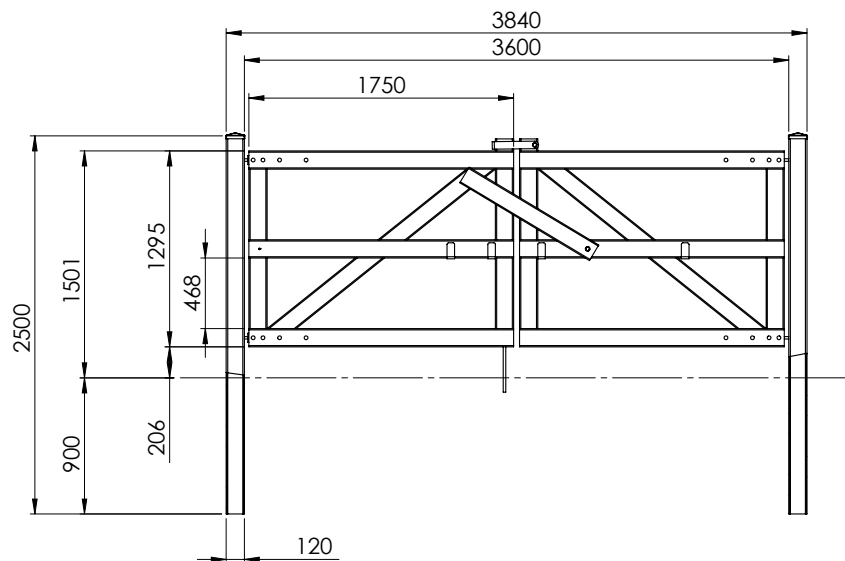


 Brown

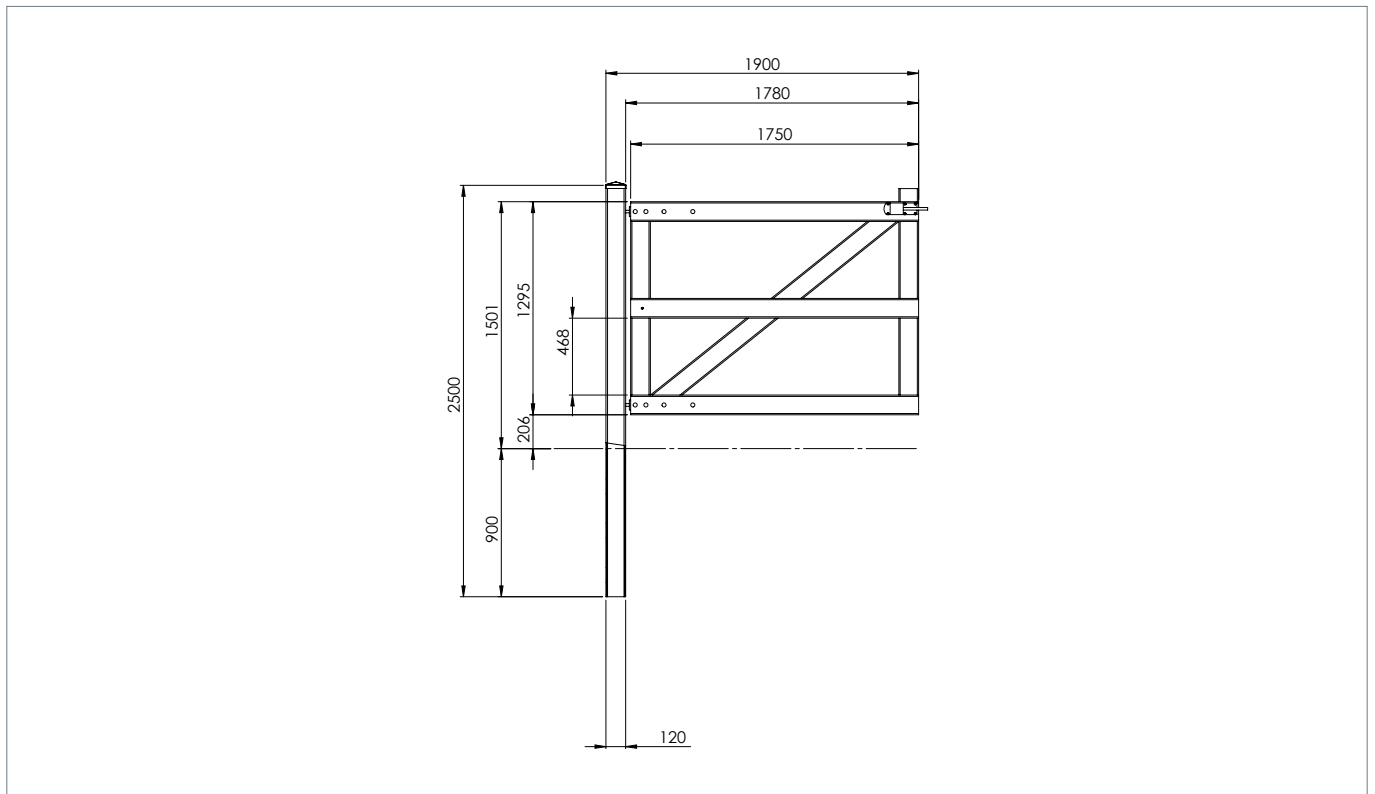




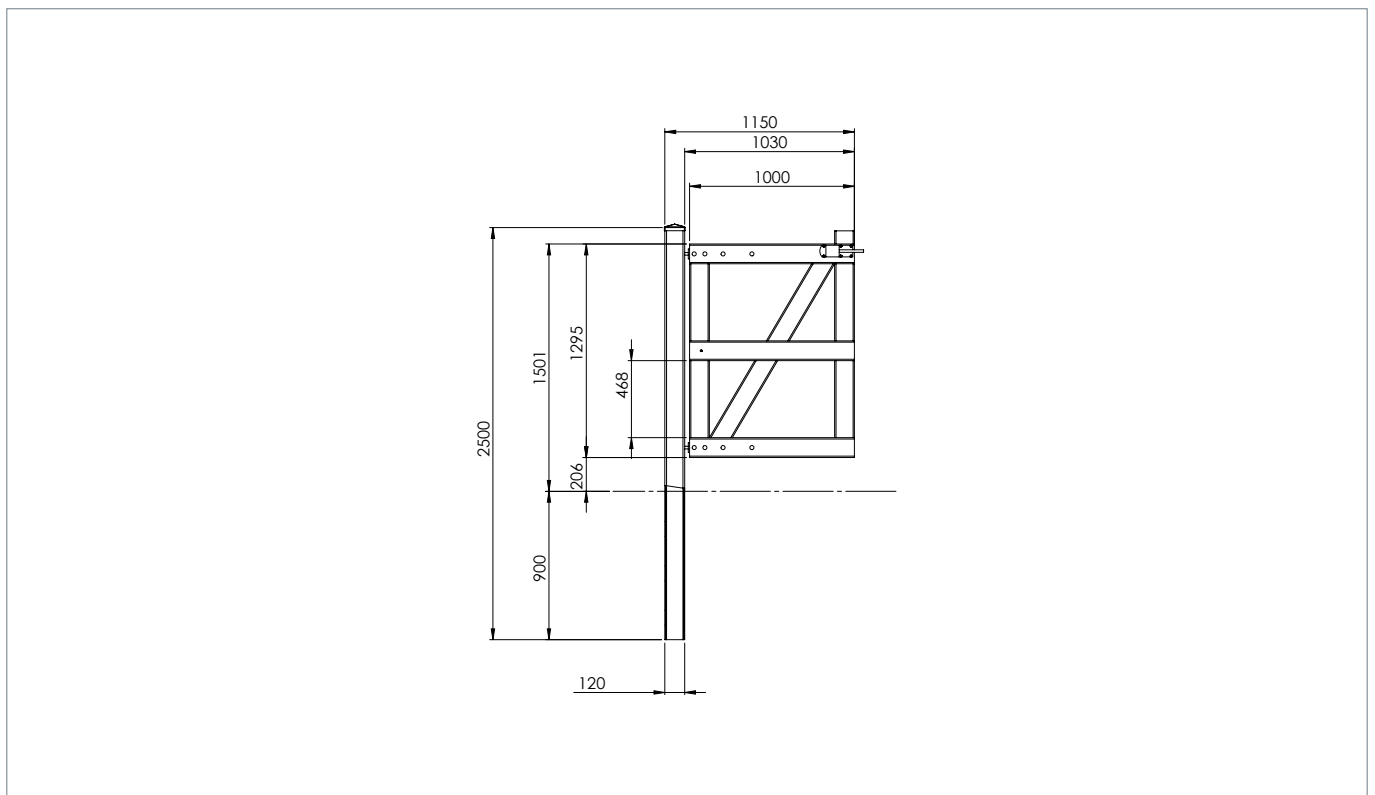
PASTURE GATE SYSTEM L = 360 CM FOR 3 OR 5 RECESSES



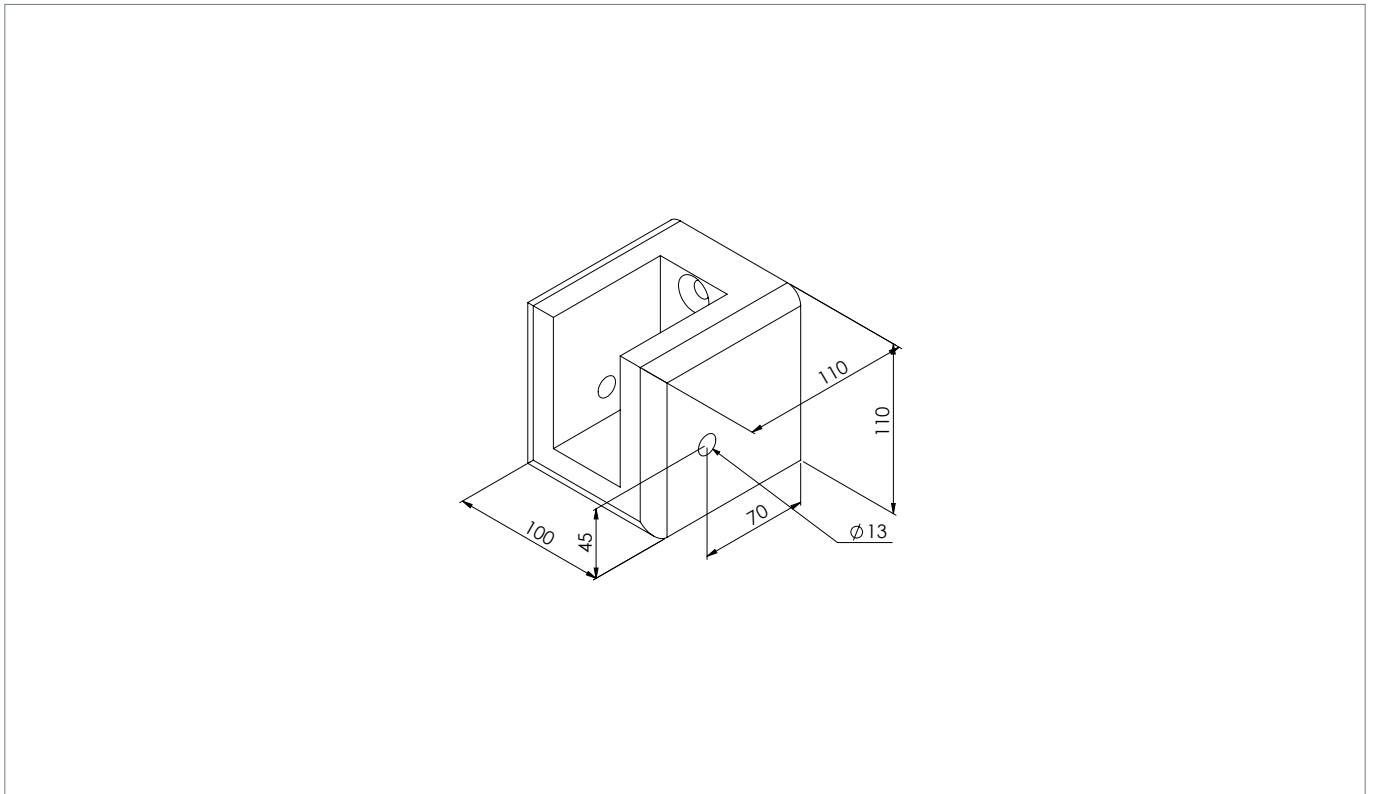
PASTURE DOOR SYSTEM L = 178 CM FOR 3 OR 5 RECESSES



PASTURE DOOR SYSTEM L = 103 CM FOR 3 OR 5 RECESSES



CONNECTOR GATE POST



SYSTEM COMPONENTS

Pasture Gate System (Two Wings) with 3 Crossbars

Colour	Length 1 (cm)	Length 2 (cm)	Weight (approx. kg)	Order No
■ Brown	384.0	360.0	187.0	KTB 002

Pasture Door System (One Wing) with 3 Crossbars

Colour	Length 1 (cm)	Length 2 (cm)	Weight (approx. kg)	Order No
■ Brown	115.0	103.0	78.0	KTB 006
■ Brown	190.0	178.0	88.0	KTB 004

Pasture Gate System (Two Wings) with 5 Crossbars

Colour	Length 1 (cm)	Length 2 (cm)	Weight (approx. kg)	Order No
■ Brown	384.0	360.0	214.0	KTB 001

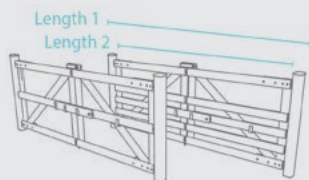
Pasture Door System (One Wing) with 5 Crossbars

Colour	Length 1 (cm)	Length 2 (cm)	Weight (approx. kg)	Order No
■ Brown	115.0	103.0	86.0	KTB 005
■ Brown	190.0	178.0	100.0	KTB 003

Connector Gate Post

Colour	Width (cm)	Length 2 (cm)	Weight (approx. kg)	Order No
■ Brown	10.0	11.0	0.8	KTB 101 111

Door wing arrives fully assembled. Delivery including Gate Post and Mounting material.



FURTHER DOCUMENTS AVAILABLE AT WWW.HANIT.DE

- » Assembly Instruction
- » General Material Information
- » General Processing Guidelines
- » Data Sheet Pasture Fence System

